



» OPERADOR ABATIBLE MARCA CAME MOD.ATI.

ATI

SWING GATE AUTOMATION



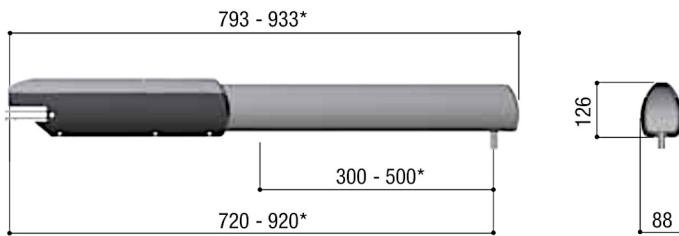
MAXIMUM LEAF LENGTH	MAXIMUM LEAF WEIGHT	DUTY CYCLE	C MAX.
UP TO 5 m	UP TO 1000 kg	HEAVY DUTY	120 mm



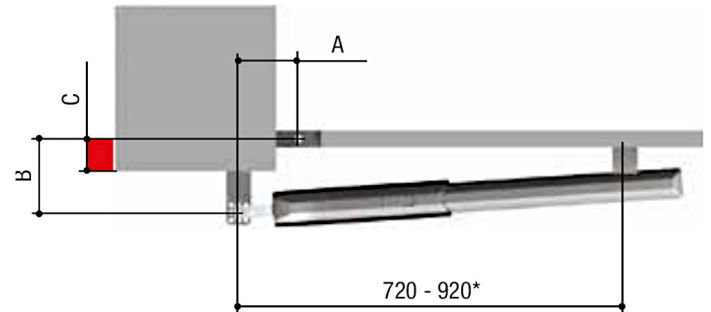
Solution for residential settings and apartment blocks

- Irreversible gearmotor.
- Amperometric obstruction detection.
- Motor and encoder management with three-wire cable in 24 V DC versions.
- Ready for operation in case of power outage in the 24 V DC versions.

Dimensions (mm)



* 001A5000 • 001A5024N



Operational limits

MODEL	A3000 - A3000A - A3024N		
Max. width of leaf (m)	3	2,5	2
Max. weight of leaf (kg)	400	600	800
Max. leaf opening (°)	120		

MODEL	A5000 - A5000A - A5024N			
Max. width of leaf (m)	*5	*4	3	2,5
Max. weight of leaf (kg)	400	500	600	800
Max. leaf opening (°)	120			

NOTES: * It is obligatory to fit an electric lock on the gate leaf.

Application dimensions (mm)

MODELS	A3000 - A3000A - A3024N		
LEAF OPENING (°)	A	B	C Max.
90	130	130	60
120	130	110	50

MODELS	A5000 - A5000A - A5024N		
LEAF OPENING (°)	A	B	C Max.
90	200	200	120
120	200	140	70

Technical characteristics

MODELS	A3000	A3000A	A5000	A5000A	A3024N	A5024N
Protection rating (IP)	44	44	44	44	44	44
Power supply to motor (V)	230 AC 50/60 Hz	230 AC 50/60 Hz	230 AC 50/60 Hz	230 AC 50/60 Hz	24 DC	24 DC
Absorption (A)	1,2	1,2	1,2	1,2	10 Max.	10 Max.
Power (W)	260	260	260	260	120	120
Maneuvering time at 90° (s)	19 ÷ 25	19 ÷ 25	30 ÷ 40	30 ÷ 40	ADJUSTABLE	ADJUSTABLE
Cycles/Hour	24	24	15	15	HEAVY-DUTY SERVICE	HEAVY-DUTY SERVICE
Thrust (N)	400 ÷ 4000	400 ÷ 4000	400 ÷ 4000	400 ÷ 4000	400 ÷ 4000	400 ÷ 4000
Operating temperature (°C)	-20 ÷ +55	-20 ÷ +55	-20 ÷ +55	-20 ÷ +55	-20 ÷ +55	-20 ÷ +55
Motor's heat protection (°C)	150	150	150	150	-	-

● 230 V AC ● 24 V DC

